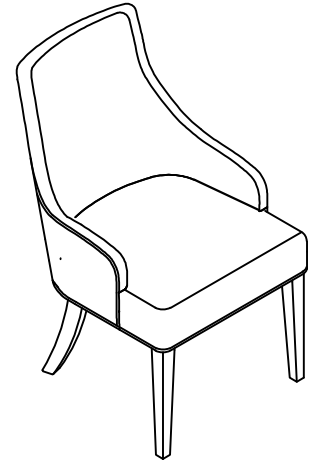


Warning :


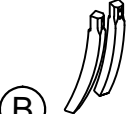
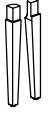




- Be sure to check all packing material carefully for small parts, which may have come loose inside the carton during shipment.
- To prevent possible scratches and damage, this furniture must be assembled on a soft surface such as a blanket or carpet.



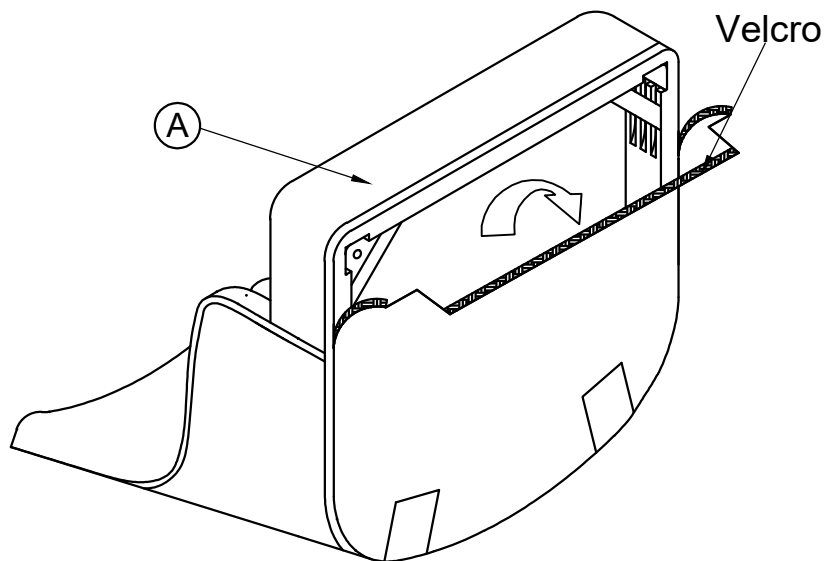
92600 / 01 / 02

Swoop Arm Uph Chair

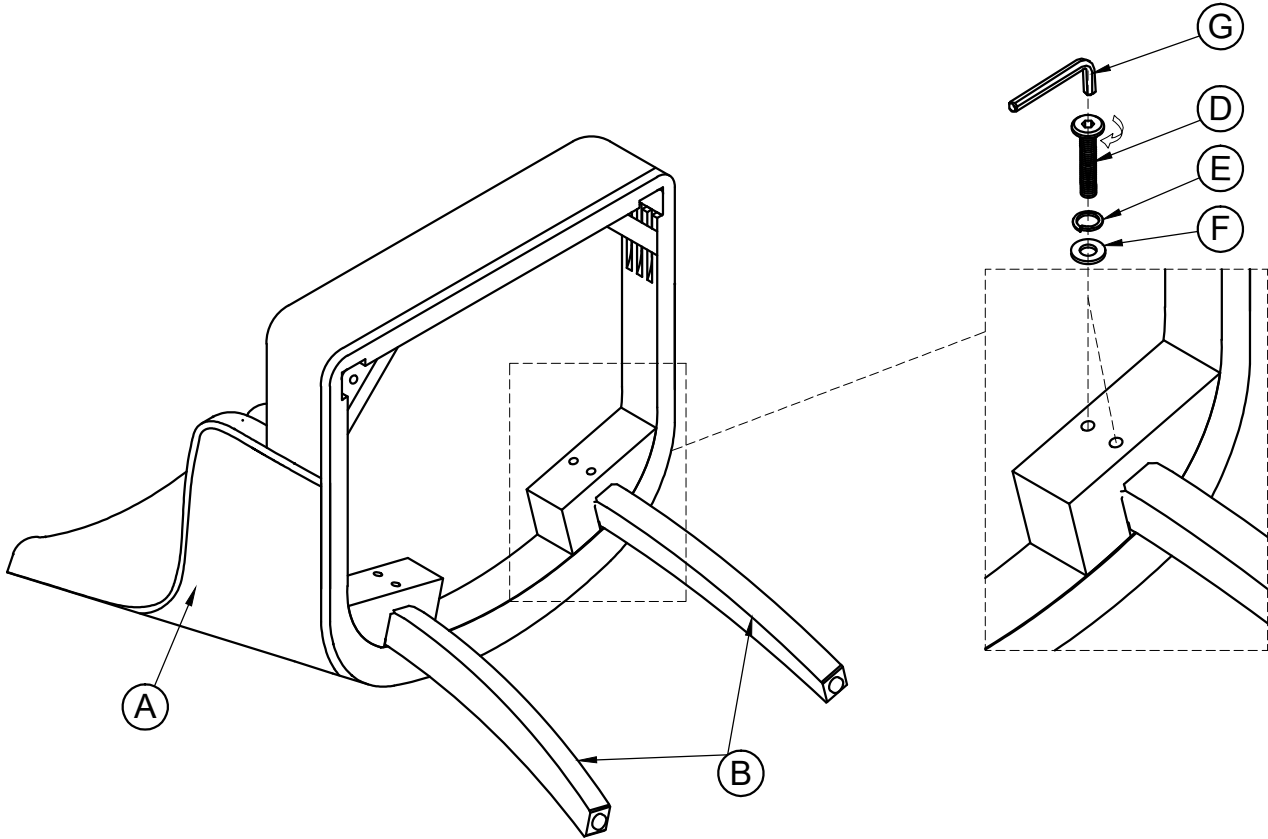
Components and Hardware List

<p>Seat Frame</p>  <p>(A) 1 pc.</p>	<p>Back Leg</p>  <p>(B) 2 pcs.</p>	<p>Front Leg</p>  <p>(C) 2 pcs.</p>	<p>Allen Head Bolt Ø5/16" x 18 x 2-1/8"</p>  <p>(D) 8 pcs.</p>	<p>Ø5/16" Spring Washer</p>  <p>(E) 8 pcs.</p>
<p>Ø5/16" Flat Washer</p>  <p>(F) 8 pcs.</p>	<p>4mm Allen Key</p>  <p>(G) 1 pc.</p>			

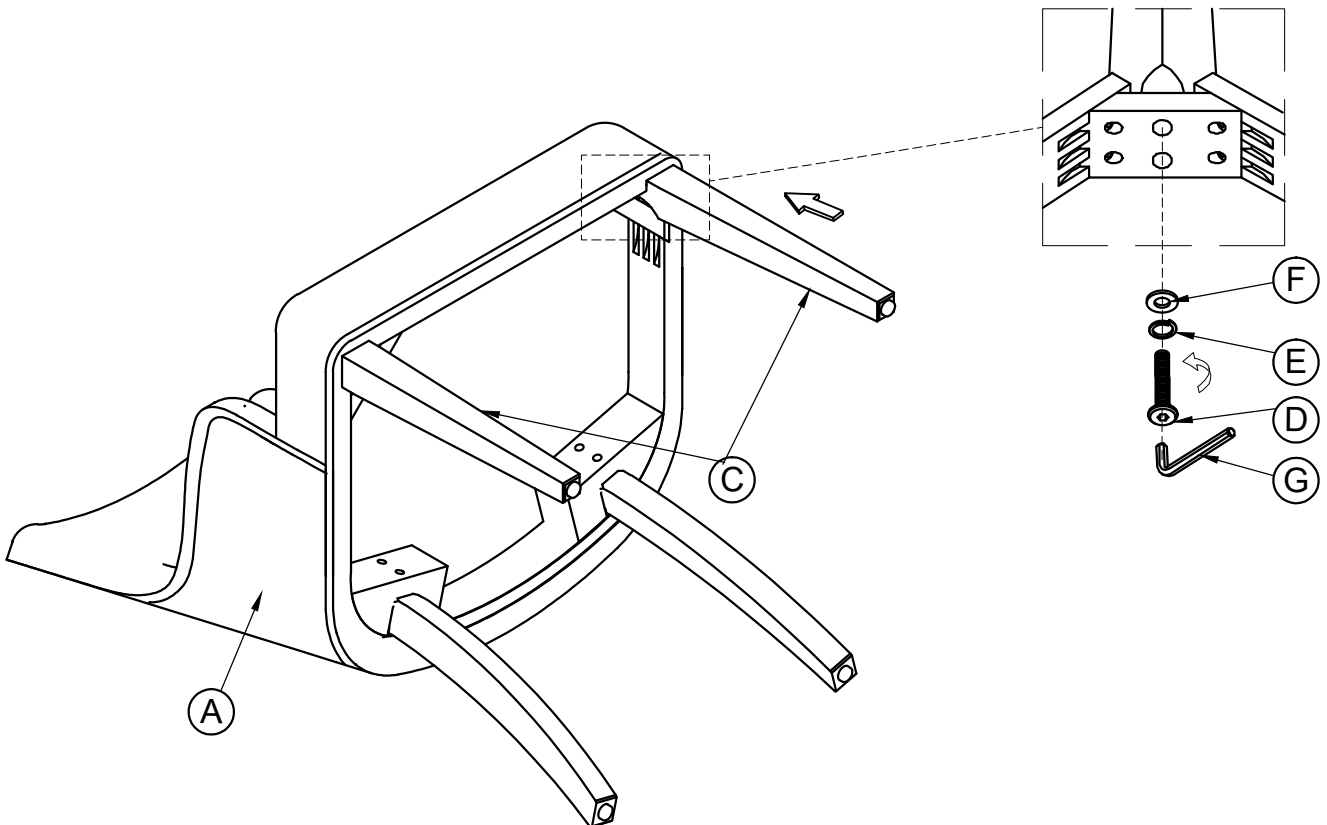
STEP 1: Remove Velcro strips on the seat frame to assemble the legs.



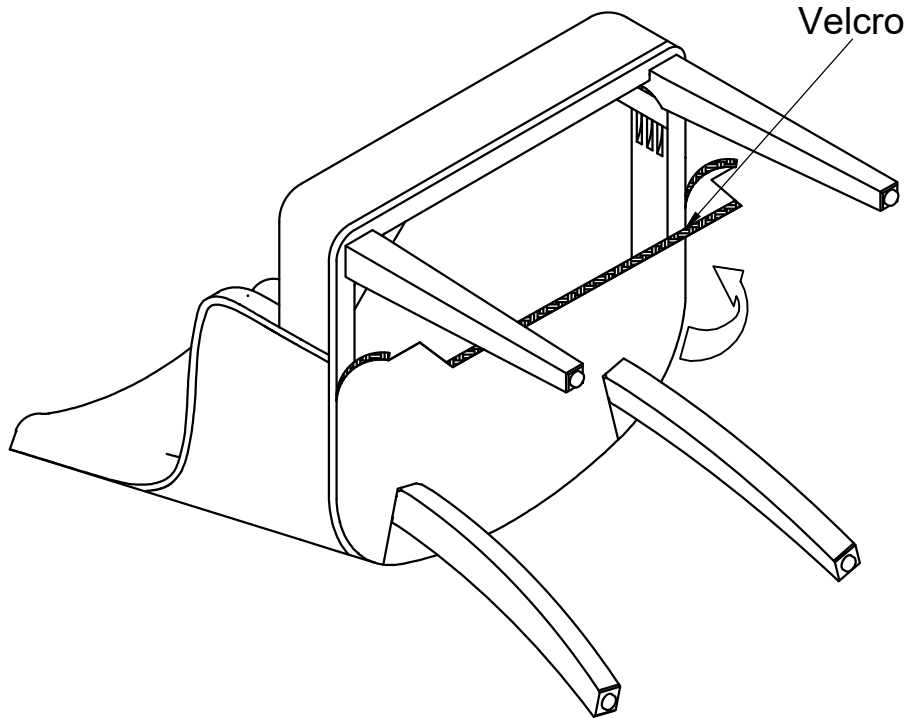
STEP 2:



STEP 3:



STEP 4: Attach all Velcro strips to the seat frame.



COMPLETE

